

• Pressure Switch

Using the technology "Bourdon," which consists in curved pipe in format "C" or helical, the model is characterized by high reliability, durability and high performance in processes - hydraulic, pneumatic, corrosive fluids, gases and liquids, constructed entirely in stainless steel, sensor, casing and parts in contact with fluid, the model ZPU ensures exceptional performance in environments chemically aggressive and hostile environments.

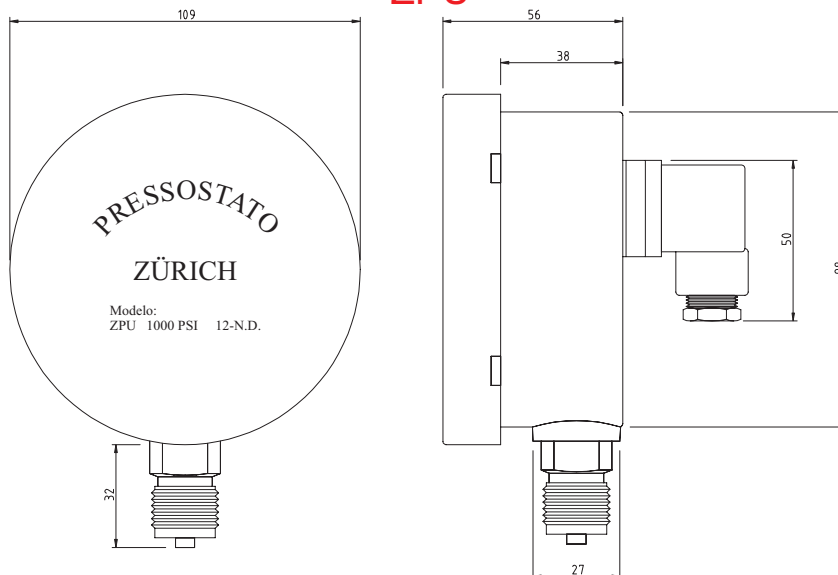
The wide range of actuation meet more than 95% of the market being: Vacuum - 1 BAR / Vacuostato 0-2 / 0-4 / 0-10 / 0-15 / 0-20 / 0-40 / 0-100 / 0-150 / 0-250 / 0-350 / 0-500 / 0-700 and 0-1000 BAR, may be selected as the need of the process.

Certainly the model ZPU reliability surpasses all other technologies used in pressure switch of "spring membrane or piston." Recalling that they depend on the "spring" as sensor, the tube "Bourdon" is extremely superior in all aspects, one convenient adjustment of the differential pressure between 30% of the range guarantees wide applications in industrial environments.

APPLICATIONS

- Processes Hydraulic
- Pneumatic Line
- Steam
- Gases in general
- Corrosive Gases
- Liquids, corrosive fluids
- Compressed Air
- Machines / Presses
- Processes of water treatment
- Control of Pumps
- Control of Level
- Panels of Control
- Sanitary Applications
- Pharmaceutical Cases
- Chemical Processes
- Products c / high concentration of solids
- Products crystallizable
- Petrochemical processes

ZPU



Features:

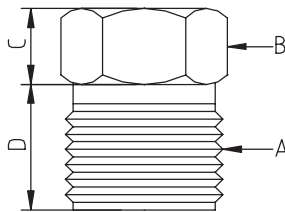
- Casing: Totally stainless steel AISI 304
- Protection: IP-65 (powerful water jets)
- Bourdon stainless steel AISI 304
- Sensor: technology Bourdon
- Range: from vacuum to 1000 bar
- Contact: SPDT
- Differential: adjustable in 35% the range
- Electrical connection: DIN 43650 connector (optional 1/2" NPT-F)
- Analog scale (pointer) to indication the Point of Actuation

Performance:

- Micro-Switch - Adjustable Differential
AMPS 10 - 80 a 250 Vac - 1 / 4 HP
1/2 AMPS - 1 a 125 Vdc
1/4 AMPS - 1 a 250 Vdc
1 - contact - SPDT (Single Point Double Throw)
for pole, double trigger NO - NC
- Accuracy: 1% F.S. (repeatability, hysteresis, linearity)
- Lifetime: 500 million cycles
- Operating Temperature: 200°C max
- Under-pressure: 100%F.S. without damage
- Vibration: 5 G - 500 Hz

Table A - Connection to the Process

Table B - Pressure Relative/Absolute

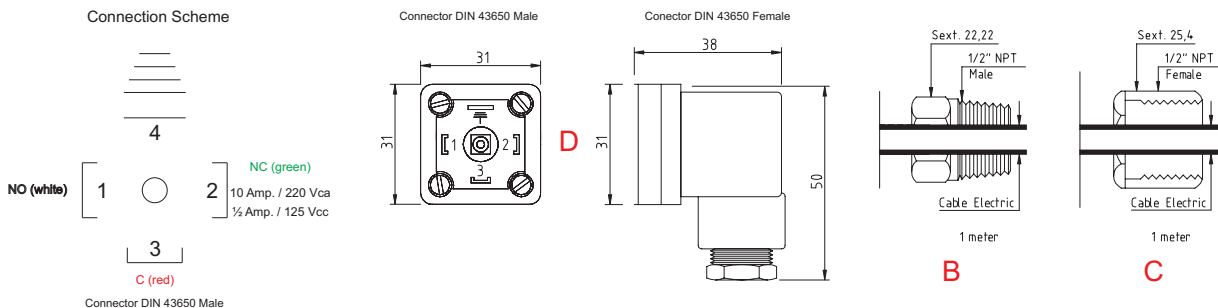


Code	A	B	C	D
12-B	1/2" BSP	Sext. 28,57	10	17
12-N	1/2" NPT	Sext. 28,57	10	17
Other, specify				

Code	Relative Pressure		
	Bar	Kgf/cm ²	PSI
1	1	1,02	14,51
2	2	2,04	29,02
4	4	4,08	58,04
10	10	10,2	145,1
15	15	15,3	217,65
20	20	20,4	290,2
40	40	40,8	580,4
100	100	102	1451
150	150	153	2176,5
250	250	255	3627,5
350	350	357	5078,5
500	500	510	7255
700	700	714	10157
1000	1000	1020	14510
Code	Absolute Pressure		
	Bar	Kgf/cm ²	PSI
1A	1	1,02	14,51
3A	3	3,06	43,53
7A	7	7,14	101,57
10A	10	10,2	145,1

Table C - Electrical Connections

Code	Connection
D	Connector DIN 43650
B	1/2" NPT-M
C	1/2" NPT-F



How to order:

